

Blower Motors Catalog



Bergstrom®



*Air Conditioning & Heating
Replacement Parts*

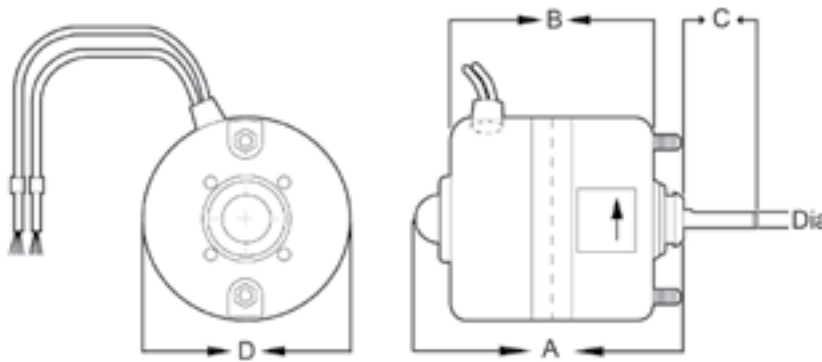
Blower Motors



BLOWER MOTORS

Single Shaft Motors	3
5/16" Shaft Diameter Single Shaft Motor Specifications	3
Single Shaft Brushless - Style Motor Specifications	5
1/4" Shaft Diameter Single Motor Specifications	5
Double Shaft Motors	16
5/16" Shaft Diameter Double Motor Specifications	16
Blower Assemblies	20
Blower Assembly Specifications	20
Condenser Fan Assemblies	25
Condenser Fan Assembly Specifications	25
Booster Pumps	27
Booster Pump Specifications	27
Universal Booster Pump Cross Reference Chart	29

Single Shaft Motors



Notes:

1. On single shaft motor, rotation is determined by viewing motor from shaft end.
2. On permanent magnet motors the red or orange lead is positive.

Legend:

A = Overall Length
 B = Motor Length
 C = Shaft Length
 D = Motor Diameter
 Dia = Shaft Diameter
 CE = Closed End
 SE = Shaft End
 REV = Reversible

5/16" Shaft Diameter Single Shaft Motor Specifications

Overall Length (A)	Motor Length (B)	Shaft Length (C)	Motor Diameter (D)	Speed	Volt	Rotation	Mount	Shaft Diameter	Vent	Part No
-	-	-	-	-	12	-	-	-	-	1001276674
2 15/16" (74.6mm)	2 9/16" (64mm)	7/8" (22.2mm)	3" (76.2mm)	1	12	CCWSE	Strap	5/16" (8mm)	NV	B275166
2 15/16" (74.6mm)	2 9/16" (64mm)	7/8" (22.2mm)	3" (76.2mm)	1	24	CCWSE	Strap	5/16" (8mm)	NV	B275266
3 3/4" (95.3mm)	3" (76.2mm)	1 3/8" (35mm)	3" (76.2mm)	2	24	CW	Stud	5/16" (8mm)	NV	201930
3 15/16" (100mm)	3 11/16" (93.7mm)	1 3/8" (35mm)	2 15/16" (74.6mm)	1	24	CCWSE	Stud	5/16" (8mm)	V	B275241
3 15/16" (100mm)	3 9/16" (90mm)	1" (25.4mm)	3" (76.2mm)	2	12	CWSE	Stud	5/16" (8mm)	NV	201520
3 15/16" (100mm)	3 11/16" (93.7mm)	1 3/8" (35mm)	2 15/16" (74.6mm)	1	12	CCWSE	Stud	5/16" (8mm)	V	B275141
3 15/16" (100mm)	3 11/16" (93.7mm)	1 3/8" (35mm)	2 15/16" (74.6mm)	1	12	CWSE	Stud	5/16" (8mm)	V	B275140
3 7/8" (98.4mm)	3 11/16" (93.7mm)	1 3/8" (35mm)	2 15/16" (74.6mm)	1	24	CWSE	Strap	5/16" (8mm)	V	B275240
4" (101.6mm)	3 23/32" (94.2mm)	1" (25.4mm)	3" (76.2mm)	1	12	CWSE	-	9/32" (7mm)	V	1000171472
4" (101.6mm)	3 1/8" (79.4mm)	1 7/16" (36.5mm)	3" (76.2mm)	2	12	REV	Stud	5/16" (8mm)	V	1000356768
4" (101.6mm)	3 9/16" (90mm)	1" (25.4mm)	3" (76.2mm)	2	12	CWSE	Stud	5/16" (8mm)	V	1000321333
4" (101.6mm)	3 9/16" (90mm)	1 3/16" (30.1mm)	3" (76.2mm)	2	12	CWSE	Stud	5/16" (8mm)	V	1000426128
4 1/16" (103mm)	3 11/16" (93.7mm)	1 3/8" (35mm)	3" (76.2mm)	2	12	CWSE	Stud	5/16" (8mm)	V	203020
4 1/16" (103mm)	3 13/16" (96.8mm)	1 7/8" (47.6mm)	2 15/16" (74.6mm)	1	12	CW/CCW	Strap	5/16" (8mm)	V	203066
4 1/16" (103mm)	3 9/16" (90mm)	1" (25.4mm)	3" (76.2mm)	2	12	CWSE	Stud	5/16" (8mm)	V	203088
4 1/16" (103mm)	3 13/16" (96.8mm)	1 7/8" (47.6mm)	2 15/16" (74.6mm)	1	12	REV	Stud	5/16" (8mm)	V	869158
4 3/16" (106.4mm)	4" (101.6mm)	1 13/16" (46mm)	3" (76.2mm)	1	12	CWSE	Flange	5/16" (8mm)	V	203139
4 1/4" (108mm)	3 13/16" (96.8mm)	1 13/16" (46mm)	2 15/16" (74.6mm)	1	12	REV	Strap	5/16" (8mm)	V	1000170295
4 1/4" (108mm)	4" (101.6mm)	1 5/16" (33.3mm)	2 15/16" (74.6mm)	1	12	CWSE	Flange	#10-32 UNF-2A	-	1001266966
4 1/4" (108mm)	4" (101.6mm)	1 7/16" (36.5mm)	2 15/16" (74.6mm)	1	12	CCWCE	Strap	5/16" (8mm)	V	203076
4 1/4" (108mm)	4" (101.6mm)	1 7/16" (36.5mm)	2 15/16" (74.6mm)	1	12	CCWCE	Strap	5/16" (8mm)	V	203115

Single Shaft Motors

5/16" Shaft Diameter Single Shaft Motor Specifications

Overall Length (A)	Motor Length (B)	Shaft Length (C)	Motor Diameter (D)	Speed	Volt	Rotation	Mount	Shaft Diameter	Vent	Part No
4 1/4" (108mm)	4" (101.6mm)	1 5/8" (41.3mm)	2 15/16" (74.6mm)	1	12	CCWCE	Strap	5/16" (8mm)	V	203255
4 1/4" (108mm)	3 13/16" (96.8mm)	1 13/16" (46mm)	2 15/16" (74.6mm)	1	12	CCWCE	Stud	5/16" (8mm)	V	890050
4 1/4" (108mm)	4 1/16" (103mm)	1 13/16" (46mm)	2 15/16" (74.6mm)	1	12	CWSE	Stud	5/16" (8mm)	V	B275190
4 1/4" (108mm)	4 1/16" (103mm)	1 5/16" (33.3mm)	2 15/16" (74.6mm)	1	12	CWSE	Strap	5/16" (8mm)	NV	203168
4 1/4" (108mm)	4 1/16" (103mm)	1 13/16" (46mm)	2 15/16" (74.6mm)	1	12	CWCE	Stud	5/16" (8mm)	V	203133
4 1/4" (108mm)	4 1/16" (103mm)	2 1/8" (52.7mm)	2 15/16" (74.6mm)	1	12	CCWSE	Stud	5/16" (8mm)	V	203213
4 1/4" (108mm)	4 1/16" (103mm)	1 11/16" (42.9mm)	3" (76.2mm)	1	12	CCWCE	Flange	5/16" (8mm)	V	869701
4 1/4" (108mm)	4 1/16" (103mm)	1 3/8" (35mm)	2 15/16" (74.6mm)	2	24	CWSE	Stud	5/16" (8mm)	NV	203208
4 3/8" (111.1mm)	4" (101.6mm)	1 13/16" (46mm)	3" (76.2mm)	1	12	CCW	Stud	5/16" (8mm)	V	1000039644
4 7/16" (112.7mm)	3 5/8" (92mm)	1 5/16" (33.3mm)	3 1/4" (82.6mm)	1	12	CWSE	Flange	5/16" (8mm)	V	203284
4 7/16" (112.7mm)	3 9/16" (90mm)	1" (25.4mm)	3" (76.2mm)	2	12	CWSE	Strap	5/16" (8mm)	V	1000044188
4 7/16" (112.7mm)	4 1/16" (103mm)	1 1/8" (28.6mm)	2 15/16" (74.6mm)	1	12	CCWCE	Strap	5/16" (8mm)	V	869445
4 7/16" (112.7mm)	3 9/16" (90mm)	1 3/8" (35mm)	3" (76.2mm)	2	12	CWSE	Stud	5/16" (8mm)	V	1000255724
4 7/16" (112.7mm)	4 1/16" (103mm)	1 5/16" (33.3mm)	3" (76.2mm)	1	24	CCWSE	Stud	5/16" (8mm)	NV	203092
4 1/2" (114.3mm)	3 5/8" (92mm)	1 1/2" (38.1mm)	3" (76.2mm)	1	12	CW	Stud	5/16" (8mm)	V	203211
4 1/2" (114.3mm)	4" (101.6mm)	1 3/16" (30.1mm)	3 1/8" (78mm)	1	12	CCWCE	Strap	5/16" (8mm)	NV	B275165
4 1/2" (114.3mm)	4" (101.6mm)	1 1/4" (31.8mm)	3 1/8" (78mm)	1	24	CWSE	Strap	5/16" (8mm)	NV	B275265
4 1/2" (114.3mm)	4" (101.6mm)	1 1/4" (31.8mm)	3 1/8" (78mm)	1	12	CCWCE	Strap	5/16" (8mm)	NV	1000348812
4 1/2" (114.3mm)	4" (101.6mm)	1 1/4" (31.8mm)	3 1/8" (78mm)	1	24	CCWCE	Strap	5/16" (8mm)	NV	1000348813
4 1/2" (114.3mm)	4 5/16" (109.5mm)	1 3/16" (30.1mm)	2 15/16" (74.6mm)	1	12	CWSE	Flange	5/16" (8mm)	V	1000223680
4 9/16" (115.9mm)	3 13/16" (96.8mm)	1" (25.4mm)	3" (76.2mm)	1	12	CWSE	Flange	5/16" (8mm)	V	1000142451
4 9/16" (115.9mm)	4 3/8" (111.1mm)	1 1/16" (27mm)	2 15/16" (74.6mm)	1	12	CWSE	Flange	5/16" (8mm)	V	203361
4 5/8" (117.5mm)	4 1/8" (105mm)	1 5/16" (33.3mm)	3" (76.2mm)	1	12	CW	Flange w/ harness	5/16" (8mm)	V	890063
4 5/8" (117.5mm)	4" (101.6mm)	1 3/4" (44.5mm)	2 15/16" (74.6mm)	1	12	CWSE	-	5/16" (8mm)	V	890099
4 5/8" (117.5mm)	3 7/8" (98.4mm)	1 9/16" (39.6mm)	2 7/8" (73mm)	1	12	CWSE	Stud	5/16" (8mm)	V	203249
4 11/16" (119mm)	4 5/16" (109.5mm)	1 11/16" (42.9mm)	2 15/16" (74.6mm)	1	12	CCWSE	Flange	5/16" (8mm)	V	890067
4 11/16" (119mm)	3 11/16" (93.7mm)	1 11/16" (42.9mm)	3 1/16" (77.8mm)	1	12	CW/CCW	Stud	5/16" (8mm)	V	203067
4 11/16" (119mm)	4" (101.6mm)	1 1/4" (31.8mm)	3 1/16" (77.8mm)	1	12	CWSE	Strap	5/16" (8mm)	NV	B275130
4 3/4" (120.7mm)	4 1/16" (103mm)	1 5/8" (41.3mm)	3" (76.2mm)	1	12	CWSE	Flange	5/16" (8mm)	V	868790

Single Shaft Motors

5/16" Shaft Diameter Single Shaft Motor Specifications

Overall Length (A)	Motor Length (B)	Shaft Length (C)	Motor Diameter (D)	Speed	Volt	Rotation	Mount	Shaft Diameter	Vent	Part No
4 3/4" (120.7mm)	4 9/16" (116mm)	1 5/8" (41.3mm)	2 15/16" (74.6mm)	1	12	CCWCE	Stud	5/16" (8mm)	V	203412
4 3/4" (120.7mm)	4 9/16" (116mm)	1 5/8" (41.3mm)	2 15/16" (74.6mm)	1	12	CCWLE	Stud	5/16" (8mm)	V	1000694282
4 3/4" (120.7mm)	4 9/16" (116mm)	1 5/8" (41.3mm)	2 15/16" (74.6mm)	1	12	CCWCE	Stud	5/16" (8mm)	V	1001429553
4 51/64" (121.84mm)	4 19/64" (109.04mm)	1 1/32" (26.32mm)	2 31/32" (75.35mm)	1	12	CWSE	-	5/16" (7.93mm)	V	1000222438
4 7/8" (123.8mm)	4 3/16" (106.4mm)	1 9/16" (39.6mm)	3 1/16" (77.8mm)	1	24	CWSE	Stud	5/16" (8mm)	NV	B275232
4 15/16" (125.4mm)	4 5/16" (109.5mm)	1 7/16" (36.5mm)	2 15/16" (74.6mm)	1	12	CWSE	Stud	5/16" (8mm)	V	868013
4 15/16" (125.4mm)	4 1/16" (103mm)	1 13/16" (46mm)	2 15/16" (74.6mm)	1	12	CWSE	Strap	5/16" (8mm)	V	203132
4 15/16" (125.4mm)	4 11/16" (119mm)	1 7/8" (47.6mm)	3" (76.2mm)	1	12	CW	Bracket	5/16" (8mm)	V	203364
4 15/16" (125.4mm)	4 11/16" (119mm)	1 11/16" (42.9mm)	3 1/16" (77.8mm)	1	12	CCWCE	Flange	5/16" (8mm)	0	203142
5" (127mm)	4 3/16" (106.4mm)	1 3/8" (35mm)	3 1/4" (82.6mm)	2	12	CW/ Spade End	Stud	5/16" (8mm)	V	203186
5" (127mm)	4 1/4" (108mm)	1" (25.4mm)	3 1/16" (77.8mm)	1	12	CWSE	Flange	5/16" (8mm)	V	203156
5" (127mm)	3 9/16" (90mm)	1" (25.4mm)	3" (76.2mm)	2	12	CWSE	Casebolt	5/16" (8mm)	V	1000132642
5" (127mm)	4 9/16" (116mm)	1 13/16" (46mm)	2 15/16" (74.6mm)	1	12	CW	Stud	5/16" (8mm)	V	203234
5 15/16" (150.8mm)	3 9/16" (90mm)	7/8" (22.2mm)	3" (76.2mm)	2	12	CCWSE	Stud	5/16" (8mm)	V	203342
6 7/16" (163.5mm)	-	-	3" (76.2mm)	1	12	CWSE	Flange	-	V	1000477193
6 13/16" (173mm)	4 13/16" (122.2mm)	2" (50.8mm)	3" (76.2mm)	1	12V	CCWSE	Strap	5/16" (8mm)	V	1001587278
7 5/16" (185.7mm)	5 5/16" (135mm)	2" (50.8mm)	3" (76.2mm)	1	12V	CCWSE	Strap	5/16" (8mm)	V	1001582686

Single Shaft Brushless - Style Motor Specifications

Speed	Volt	Rotation	Mount	Shaft Diameter	Vent	Part No
Variable	12	CW	Flange	5/16" (8mm)	V	203368

1/4" Shaft Diameter Single Motor Specifications

Overall Length (A)	Motor Length (B)	Shaft Length (C)	Motor Diameter (D)	Speed	Volt	Rotation	Mount	Shaft Diameter	Vent	Part No
-	-	-	3" (76.2mm)	1	12	CWSE	Flange	1/4" (6.4mm)	V	1000477197
2 7/8" (72.1mm)	2 9/16" (64mm)	1 3/16" (30.1mm)	3" (76.2mm)	2	12	CCWSE	Stud	1/4" (6.4mm)	NV	202520
2 15/16" (74.6mm)	2 9/16" (64mm)	1" (25.4mm)	3" (76.2mm)	2	12	CCWSE	Stud	1/4" (6.4mm)	NV	1000169966
3" (76.2mm)	2 9/16" (64mm)	1 5/16" (33.3mm)	3" (76.2mm)	2	12	CWSE	Stud	1/4" (6.4mm)	NV	202270
3" (76.2mm)	2 9/16" (64mm)	1" (25.4mm)	3 1/16" (77.8mm)	2	12	CCWSE	Strap	1/4" (6.4mm)	V	1000141608
3" (76.2mm)	2 9/16" (64mm)	1 5/16" (33.3mm)	3" (76.2mm)	2	12	CWSE	Stud	1/4" (6.4mm)	NV	1000132197

1/4" Shaft Diameter Single Motor Specifications

Overall Length (A)	Motor Length (B)	Shaft Length (C)	Motor Diameter (D)	Speed	Volt	Rotation	Mount	Shaft Diameter	Vent	Part No
3 1/16" (77.8mm)	2 5/8" (66.4mm)	7/8" (22.2mm)	3" (76.2mm)	2	12	CCWSE	Stud	1/4" (6.4mm)	NV	1000182193
3 1/16" (77.8mm)	2 5/8" (66.4mm)	7/8" (22.2mm)	3" (76.2mm)	2	24	CCWSE	Stud	1/4" (6.4mm)	NV	B274284
3 1/16" (77.8mm)	2 5/8" (66.4mm)	1 1/8" (28.6mm)	3" (76.2mm)	2	12	CWSE	Stud	1/4" (6.4mm)	NV	1000132208
4 7/16" (112.7mm)	4" (101.6mm)	1 1/8" (28.6mm)	2 15/16" (74.6mm)	1	12	CCWSE	Flange	1/4" (6.4mm)	V	203113

Part No: 201520



Speed: 2	Length: 3 15/16" (100mm)
Voltage: 12V	Motor Length: 3 9/16" (90mm)
Rotation: CWSE	Shaft Length: 1" (25.4mm)
Mount: Stud	Diameter: 3" (76.2mm)
Vent: NV	Amps: 3.5 amp (high), 2.2 amp (low)
Shaft Diameter: 5/16" (8mm)	Stud Span: 2 5/16" (58.67mm)
Connector: Bare leads	Wires: 2
General Specifications: Internally Grounded	

Part No: 201930



Speed: 2	Length: 3 3/4"
Voltage: 24	Motor Length: 3"
Rotation: CW	Shaft Length: 1 3/8"
Mount: Stud	Diameter: 3"
Vent: NV	Shaft Diameter: 5/16"

Part No: 202270



Speed: 2	Length: 3" (76.2mm)
Voltage: 12V	Motor Length: 2 9/16" (64mm)
Rotation: CWSE	Shaft Length: 1 5/16" (33.3mm)
Mount: Stud	Diameter: 3" (76.2mm)
Vent: NV	Amps: 3.6 amp (high), 2.2 amp (low)
Shaft Diameter: 1/4" (6.4mm)	Stud Span: 2 5/16" (58.7mm)
Connector: Bare leads	Wires: 2
General Specifications: Internally Grounded	

Part No: 202520



Speed: 2	Length: 2 7/8" (72.1mm)
Voltage: 12V	Motor Length: 2 9/16" (64mm)
Rotation: CCWSE	Shaft Length: 1 3/16" (30.1mm)
Mount: Stud	Diameter: 3" (76.2mm)
Vent: NV	Amps: 10 amp max
Shaft Diameter: 1/4" (6.4mm)	Stud Span: 2 5/16" (58.7mm)
Connector: Bare leads	Wires: 2
General Specifications: Internally Grounded	

Part No: 203020



Speed: 2	Length: 4 1/16" (103mm)
Voltage: 12V	Motor Length: 3 11/16" (93.7mm)
Rotation: CWSE	Shaft Length: 1 3/8" (35mm)
Mount: Stud	Diameter: 3" (76.2mm)
Vent: V	Amps: 10 amp max
Shaft Diameter: 5/16" (8mm)	Stud Span: 2 5/16" (58.7mm)
Connector: Bare leads	Wires: 3

Part No: 203066



Speed: 1	Length: 4 1/16" (103mm)
Voltage: 12V	Motor Length: 3 13/16" (96.8mm)
Rotation: CW/CCW	Shaft Length: 1 7/8" (47.6mm)
Mount: Strap	Diameter: 2 15/16" (74.6mm)
Vent: V	Amps: 16 amp max
Shaft Diameter: 5/16" (8mm)	Stud Span: 2 5/16" (58.7mm)
Connector: 1/4" Male insulated	Wires: 2

Single Shaft Motors

Part No: 203067



Speed: 1	Length: 4 11/16" (119mm)
Voltage: 12V	Motor Length: 3 11/16" (93.7mm)
Rotation: CW/CCW	Shaft Length: 1 11/16" (42.9mm)
Mount: Stud	Diameter: 3 1/16" (77.8mm)
Vent: V	Stud Span: 2 5/16" (58.7mm)
Shaft Diameter: 5/16" (8mm)	Wires: 2
Connector: 1/4" Male & Female insulated	

Part No: 203076



Speed: 1	Plug: Orange- AMP #3-520106-2 Black- AMP #3-350819-2
Voltage: 12V	Length: 4 1/4" (108mm)
Rotation: CCWCE	Motor Length: 4" (101.6mm)
Mount: Strap	Shaft Length: 1 7/16" (36.5mm)
Vent: V	Diameter: 2 15/16" (74.6mm)
Connector: 1/4" Amp insulated	Shaft Diameter: 5/16" (8mm)
Wires: 2	Stud Span: 2 5/16" (58.7mm)

Part No: 203088



Speed: 2	Length: 4 1/16" (103mm)
Voltage: 12V	Motor Length: 3 9/16" (90mm)
Rotation: CWSE	Shaft Length: 1" (25.4mm)
Mount: Stud	Diameter: 3" (76.2mm)
Vent: V	Amps: 9 amp (high), 4.8 amp (low)
Shaft Diameter: 5/16" (8mm)	Stud Span: 2 5/16" (58.7mm)
Connector: Bare leads	Wires: 3
General Specifications: Thermal Protection 150°	

Part No: 203092



Speed: 1	Wires: 2
Voltage: 24V	Length: 4 7/16" (112.7mm)
Rotation: CCWSE	Motor Length: 4 1/16" (103mm)
Mount: Stud	Shaft Length: 1 5/16" (33.3mm)
Vent: NV	Diameter: 3" (76.2mm)
Shaft Diameter: 5/16" (8mm)	Amps: 10 amp max
Connector: Packard	Stud Span: 2 5/16" (58.7mm)
Plug: Packard #2984483 Connector	

Part No: 203113



Speed: 1	Wires: 2
Voltage: 12V	Length: 4 7/16" (112.7mm)
Rotation: CCWSE	Motor Length: 4" (101.6mm)
Mount: Flange	Shaft Length: 1 1/8" (28.6mm)
Vent: V	Diameter: 2 15/16" (74.6mm)
Shaft Diameter: 1/4" (6.4mm)	Amps: 22.5 amp max
Connector: Metripack	Stud Span: 2 5/16" (58.7mm)
General Specifications: RFI Protection	
Plug: Metric Pack 280 Connector	

Part No: 203115



Speed: 1	Wires: 2
Voltage: 12V	Length: 4 1/4" (108mm)
Rotation: CCWCE	Motor Length: 4" (101.6mm)
Mount: Strap	Shaft Length: 1 7/16" (36.5mm)
Vent: V	Diameter: 2 15/16" (74.6mm)
Shaft Diameter: 5/16" (8mm)	Amps: 17.1 amp max
Connector: Packard	Stud Span: 2 5/16" (58.7mm)
Plug: Packard #12129081 Connector	

Part No: 203132



Speed: 1	Wires: 2
Voltage: 12V	Length: 4 15/16" (125.4mm)
Rotation: CWSE	Motor Length: 4 1/16" (103mm)
Mount: Strap	Shaft Length: 1 13/16" (46mm)
Vent: V	Diameter: 2 15/16" (74.6mm)
Shaft Diameter: 5/16" (8mm)	Amps: 18.7 amp max
Connector: Packard	Stud Span: 2 5/16" (58.7mm)
Plug: Packard #2984528 Connector	

Part No: 203133



Speed: 1	Wires: 2
Voltage: 12V	Length: 4 1/4" (108mm)
Rotation: CWCE	Motor Length: 4 1/16" (103mm)
Mount: Stud	Shaft Length: 1 13/16" (46mm)
Vent: V	Diameter: 2 15/16" (74.6mm)
Shaft Diameter: 5/16" (8mm)	Amps: 11.5 amp max
Connector: Packard	Stud Span: 2 5/16" (58.7mm)
Plug: Packard # 02984528 Connector	

Part No: 203139



Speed: 1	Length: 4 3/16" (106.4mm)
Voltage: 12V	Motor Length: 4" (101.6mm)
Rotation: CWSE	Shaft Length: 1 13/16" (46mm)
Mount: Flange	Diameter: 3" (76.2mm)
Vent: V	Amps: 17.1 amp max
Shaft Diameter: 5/16" (8mm)	Stud Span: 2 5/16" (58.7mm)
Connector: Packard	Wires: 2
General Specifications: RFI Protection	

Single Shaft Motors

Part No: 203142



Speed: 1	Wires: 2
Voltage: 12V	Length: 4 15/16" (125.4mm)
Rotation: CCWCE	Motor Length: 4 11/16" (119mm)
Mount: Flange	Shaft Length: 1 11/16" (42.9mm)
Shaft Diameter: 5/16" (8mm)	Diameter: 3 1/16" (77.8mm)
Connector: Packard	Amps: 27 amp
General Specifications: RFI Protection	Plug: Packard #12129939 Connector

Part No: 203156



Speed: 1	Length: 5" (127mm)
Voltage: 12V	Motor Length: 4 1/4" (108mm)
Rotation: CWSE	Shaft Length: 1" (25.4mm)
Mount: Flange	Diameter: 3 1/16" (77.8mm)
Vent: V	Connector: Blade terminal
Shaft Diameter: 5/16" (8mm)	

Part No: 203168



Speed: 1	Wires: 2
Voltage: 12V	Length: 4 1/4" (108mm)
Rotation: CWSE	Motor Length: 4 1/16" (103mm)
Mount: Strap	Shaft Length: 1 5/16" (33.3mm)
Vent: NV	Diameter: 2 15/16" (74.6mm)
Shaft Diameter: 5/16" (8mm)	Amps: 14.2 amp max
Connector: Amp	Stud Span: 2 5/16" (58.7mm)
Plug: Orange AMP 60793-1 Connector Black AMP 60799-2 Connector	

Part No: 203186



Speed: 2	Length: 5" (127mm)
Voltage: 12V	Motor Length: 4 3/16" (106.4mm)
Rotation: CW/Spade End	Shaft Length: 1 3/8" (35mm)
Mount: Stud	Diameter: 3 1/4" (82.6mm)
Vent: V	Shaft Diameter: 5/16" (8mm)

Part No: 203208



Speed: 2	Length: 4 1/4" (108mm)
Voltage: 24V	Motor Length: 4 1/16" (103mm)
Rotation: CWSE	Shaft Length: 1 3/8" (35mm)
Mount: Stud	Diameter: 2 15/16" (74.6mm)
Vent: NV	Amps: 8.1 amp max
Shaft Diameter: 5/16" (8mm)	Stud Span: 2 5/16" (58.7mm)
Wires: 2	

Part No: 203211



Speed: 1	Length: 4 1/2" (114.3mm)
Voltage: 12V	Motor Length: 3 5/8" (92mm)
Rotation: CW	Shaft Length: 1 1/2" (38.1mm)
Mount: Stud	Diameter: 3" (76.2mm)
Vent: V	Shaft Diameter: 5/16" (8mm)

Part No: 203213



Speed: 1	Wires: 2
Voltage: 12V	Length: 4 1/4" (108mm)
Rotation: CCWSE	Motor Length: 4 1/16" (103mm)
Mount: Stud	Shaft Length: 2 1/8" (52.7mm)
Vent: V	Diameter: 2 15/16" (74.6mm)
Shaft Diameter: 5/16" (8mm)	Amps: 20.5 amp max
Connector: Packard	Stud Span: 2 5/16" (58.7mm)
Plug: Packard # 02984528 Connector	

Part No: 203234



Speed: 1	Length: 5" (127mm)
Voltage: 12V	Motor Length: 4 9/16" (116mm)
Rotation: CW	Shaft Length: 1 13/16" (46mm)
Mount: Stud	Diameter: 2 15/16" (74.6mm)
Vent: V	Amps: 17 amp max
Shaft Diameter: 5/16" (8mm)	Stud Span: 2 5/16" (58.7mm)
Connector: Packard	Wires: 2

Part No: 203249



Speed: 1	Wires: 2
Voltage: 12V	Length: 4 5/8" (117.5mm)
Rotation: CWSE	Motor Length: 3 7/8" (98.4mm)
Mount: Stud	Shaft Length: 1 9/16" (39.6mm)
Vent: V	Diameter: 2 7/8" (73mm)
Shaft Diameter: 5/16" (8mm)	Stud Span: 2 5/16" (58.7mm)
Connector: Packard	Plug: Packard # 2989591 Connector

Single Shaft Motors

Part No: 203255



Speed: 1	Wires: 2
Voltage: 12V	Length: 4 1/4" (108mm)
Rotation: CCWCE	Motor Length: 4" (101.6mm)
Mount: Strap	Shaft Length: 1 5/8" (41.3mm)
Vent: V	Diameter: 2 15/16" (74.6mm)
Connector: Packard	Shaft Diameter: 5/16" (8mm)
General Specifications: RFI Protection	Stud Span: 2 5/16" (58.7mm)
Plug: Orange- Packard #2984528 Black- Packard #2984528	

Part No: 203284



Speed: 1	Length: 4 7/16" (112.7mm)
Voltage: 12V	Motor Length: 3 5/8" (92mm)
Rotation: CWSE	Shaft Length: 1 5/16" (33.3mm)
Mount: Flange	Diameter: 3 1/4" (82.6mm)
Vent: V	Shaft Diameter: 5/16" (8mm)

Part No: 203342



Speed: 2	Length: 5 15/16" (150.8mm)
Voltage: 12V	Motor Length: 3 9/16" (90mm)
Rotation: CCWSE	Shaft Length: 7/8" (22.2mm)
Mount: Stud	Diameter: 3" (76.2mm)
Vent: V	Shaft Diameter: 5/16" (8mm)

Part No: 203361



Speed: 1	Wires: 2
Voltage: 12V	Length: 4 9/16" (115.9mm)
Rotation: CWSE	Motor Length: 4 3/8" (111.1mm)
Mount: Flange	Shaft Length: 1 1/16" (27mm)
Vent: V	Diameter: 2 15/16" (74.6mm)
Shaft Diameter: 5/16" (8mm)	Amps: 23 amp max
Connector: Packard	Stud Span: 2 5/16" (58.7mm)
Plug: Packard #2984883 Connector	

Part No: 203364



Speed: 1	Length: 4 15/16" (125.4mm)
Voltage: 12V	Motor Length: 4 11/16" (119mm)
Rotation: CW	Shaft Length: 1 7/8" (47.6mm)
Mount: Bracket	Diameter: 3" (76.2mm)
Vent: V	Shaft Diameter: 5/16" (8mm)

Part No: 203368



Speed: Variable	Plug: Wire
Voltage: 12V	Vent: V
Rotation: CW	Shaft Diameter: 5/16" (8mm)
Mount: Flange	General Specifications: Brushless- style

Part No: 203412



Speed: 1	Plug: Sebros #1531 & 1461 Connector
Voltage: 12V	Length: 4 3/4" (120.7mm)
Rotation: CCWCE	Motor Length: 4 9/16" (116mm)
Mount: Stud	Shaft Length: 1 5/8" (41.3mm)
Vent: V	Diameter: 2 15/16" (74.6mm)
Shaft Diameter: 5/16" (8mm)	Amps: 26.5 amp max
Wires: 2	Stud Span: 2 5/16" (58.7mm)

Part No: 868013



Speed: 1	Wires: 2
Voltage: 12V	Length: 4 15/16" (125.4mm)
Rotation: CWSE	Motor Length: 4 5/16" (109.5mm)
Mount: Stud	Width: 4 5/16" (109.5mm)
Vent: V	Shaft Length: 1 7/16" (36.5mm)
Height: 1 1/4" (31.8mm)	Diameter: 2 15/16" (74.6mm)
Shaft Diameter: 5/16" (8mm)	Amps: 21.4 amp max
Connector: Amp	Plug: AMP #61362-2

Part No: 868790



Speed: 1	Length: 4 3/4" (120.7mm)
Voltage: 12V	Motor Length: 4 1/16" (103mm)
Rotation: CWSE	Width: 4 7/16" (112.3mm)
Mount: Flange	Shaft Length: 1 5/8" (41.3mm)
Vent: V	Diameter: 3" (76.2mm)
Height: 1 1/2" (38.1mm)	Amps: 20 amp max
Shaft Diameter: 5/16" (8mm)	Connector: Packard
General Specifications: RFI Protection	Wires: 2

Single Shaft Motors

Part No: 869158



Speed: 1	Length: 4 1/16" (103mm)
Voltage: 12V	Motor Length: 3 13/16" (96.8mm)
Rotation: REV	Width: 3 1/2" (88.9mm)
Mount: Stud	Shaft Length: 1 7/8" (47.6mm)
Vent: V	Diameter: 2 15/16" (74.6mm)
Height: 1 9/16" (39.7mm)	Amps: 16 amp max
Shaft Diameter: 5/16" (8mm)	Stud Span: 2 5/16" (58.7mm)
Connector: 1/4" Male insulated	Wires: 2

Part No: 869445



Speed: 1	Length: 4 7/16" (112.7mm)
Voltage: 12V	Motor Length: 4 1/16" (103mm)
Rotation: CCWCE	Width: 4" (101.6mm)
Mount: Strap	Shaft Length: 1 1/8" (28.6mm)
Vent: V	Diameter: 2 15/16" (74.6mm)
Height: 1 7/16" (36.5mm)	Amps: 24 amp max
Shaft Diameter: 5/16" (8mm)	Wires: 2

Part No: 869701



Speed: 1	Length: 4 1/4" (108mm)
Voltage: 12V	Motor Length: 4 1/16" (103mm)
Rotation: CCWCE	Width: 4 7/16" (112.3mm)
Mount: Flange	Shaft Length: 1 11/16" (42.9mm)
Vent: V	Diameter: 3" (76.2mm)
Height: 1 1/2" (38.1mm)	Amps: 20 amp max
Shaft Diameter: 5/16" (8mm)	Connector: Packard
General Specifications: RFI Protection	Wires: 2

Part No: 890050



Speed: 1	Wires: 2
Voltage: 12V	Length: 4 1/4" (108mm)
Rotation: CCWCE	Motor Length: 3 13/16" (96.8mm)
Mount: Stud	Shaft Length: 1 13/16" (46mm)
Vent: V	Diameter: 2 15/16" (74.6mm)
Shaft Diameter: 5/16" (8mm)	Amps: 16.6 amp max
Connector: Packard	Stud Span: 2 5/16" (58.7mm)
Plug: Packard #2984883 Connector	

Part No: 890063



Speed: 1	Length: 4 5/8" (117.5mm)
Voltage: 12V	Motor Length: 4 1/8" (105mm)
Rotation: CW	Shaft Length: 1 5/16" (33.3mm)
Mount: Flange w/harness	Diameter: 3" (76.2mm)
Vent: V	Shaft Diameter: 5/16" (8mm)

Part No: 890067



Speed: 1	Length: 4 11/16" (119mm)
Voltage: 12V	Motor Length: 4 5/16" (109.5mm)
Rotation: CCWSE	Width: 3 13/16" (96.8mm)
Mount: Flange	Shaft Length: 1 11/16" (42.9mm)
Vent: V	Diameter: 2 15/16" (74.6mm)
Height: 1 1/2" (38.1mm)	Amps: 20 amp max
Shaft Diameter: 5/16" (8mm)	Connector: Packard
General Specifications: RFI Protection	Wires: 2

Part No: 890099



Speed: 1	Length: 4 5/8" (117.5mm)
Voltage: 12V	Motor Length: 4" (101.6mm)
Rotation: CWSE	Width: 4" (101.6mm)
Vent: V	Shaft Length: 1 3/4" (44.5mm)
Height: 1 13/16" (46mm)	Diameter: 2 15/16" (74.6mm)
Shaft Diameter: 5/16" (8mm)	Amps: 23 amp max
Connector: Packard	Wires: 2
General Specifications: RFI Protection	

Part No: 1000039644



Speed: 1	Length: 4 3/8" (111.1mm)
Voltage: 12V	Motor Length: 4" (101.6mm)
Rotation: CCW	Shaft Length: 1 13/16" (46mm)
Mount: Stud	Diameter: 3" (76.2mm)
Vent: V	Stud Span: 2 5/16" (58.7mm)
Shaft Diameter: 5/16" (8mm)	Wires: 2
General Specifications: RFI Protection	

Part No: 1000044188



Speed: 2	Wires: 3
Voltage: 12V	Length: 4 7/16" (112.7mm)
Rotation: CWSE	Motor Length: 3 9/16" (90mm)
Mount: Strap	Shaft Length: 1" (25.4mm)
Vent: V	Diameter: 3" (76.2mm)
Shaft Diameter: 5/16" (8mm)	Amps: 9 amp max
Plug: THB DJ7032-2.3-11 Connector	Stud Span: 2 5/16" (58.7mm)
General Specifications: Thermal Protection 160°	

Single Shaft Motors

Part No: 1000132197



Speed: 2	Length: 3" (76.2mm)
Voltage: 12V	Motor Length: 2 9/16" (64mm)
Rotation: CWSE	Shaft Length: 1 5/16" (33.3mm)
Mount: Stud	Diameter: 3" (76.2mm)
Vent: NV	Amps: 3.6 amp (high), 2.2 amp (low)
Shaft Diameter: 1/4" (6.4mm)	Stud Span: 2 5/16" (58.7mm)
Connector: Bare leads	Wires: 2
General Specifications: Internally Grounded, Thermal Protection	

Part No: 1000132208



Speed: 2	Length: 3 1/16" (77.8mm)
Voltage: 12V	Motor Length: 2 5/8" (66.4mm)
Rotation: CWSE	Shaft Length: 1 1/8" (28.6mm)
Mount: Stud	Diameter: 3" (76.2mm)
Vent: NV	Amps: 4.2 amp (high), 2.2 amp (low)
Shaft Diameter: 1/4" (6.4mm)	Stud Span: 2 5/16" (58.7mm)
Connector: Bare leads	Wires: 2
General Specifications: Internally Grounded, Thermal Protection 130°	

Part No: 1000132642



Speed: 2	Length: 5" (127mm)
Voltage: 12V	Motor Length: 3 9/16" (90mm)
Rotation: CWSE	Shaft Length: 1" (25.4mm)
Mount: Casebolt	Diameter: 3" (76.2mm)
Vent: V	Amps: 6.2 amp (high), 3.5 amp (low)
Shaft Diameter: 5/16" (8mm)	Stud Span: 2 5/16" (58.7mm)
Connector: Bare leads	Wires: 2
General Specifications: Thermal Protection 135°	

Part No: 1000141608



Speed: 2	Wires: 3
Voltage: 12V	Length: 3" (76.2mm)
Rotation: CCWSE	Motor Length: 2 9/16" (64mm)
Mount: Strap	Shaft Length: 1" (25.4mm)
Vent: V	Diameter: 3 1/16" (77.8mm)
Shaft Diameter: 1/4" (6.4mm)	Stud Span: 2 5/16" (58.7mm)
Connector: Henan Tianhai, ring terminal	Amps: 4.2 amp (high), 2.5 amp (low)
General Specifications: Thermal Protection 120°	Plug: THB #T0870052 Connector

Part No: 1000142451



Speed: 1	Wires: 2
Voltage: 12V	Length: 4 9/16" (115.9mm)
Rotation: CWSE	Motor Length: 3 13/16" (96.8mm)
Mount: Flange	Shaft Length: 1" (25.4mm)
Vent: V	Diameter: 3" (76.2mm)
Shaft Diameter: 5/16" (8mm)	Amps: 21.5 amp max
Connector: Amp	Plug: Packard #2984883 Connector

Part No: 1000169966



Speed: 2	Wires: 3
Voltage: 12V	Length: 2 15/16" (74.6mm)
Rotation: CCWSE	Motor Length: 2 9/16" (64mm)
Mount: Stud	Shaft Length: 1" (25.4mm)
Vent: NV	Diameter: 3" (76.2mm)
Shaft Diameter: 1/4" (6.4mm)	Stud Span: 2 5/16" (58.7mm)
Connector: Packard, ring terminal	Amps: 4.2 amp (high), 2.5 amp (low)
General Specifications: Thermal Protection 120°	Plug: Packard #02984883 Connector

Part No: 1000170295



Speed: 1	Wires: 2
Voltage: 12V	Length: 4 1/4" (108mm)
Rotation: REV	Motor Length: 3 13/16" (95.8mm)
Mount: Strap	Shaft Length: 1 13/16" (46mm)
Vent: V	Diameter: 2 15/16" (74.6mm)
Connector: Male & Female insulated terminal	Shaft Diameter: 5/16" (8mm)
Stud Span: 2 5/16" (58.7mm)	Plug: Orange-1/4 Male Terminal, Black-1/4 Female Terminal
General Specifications: RFI Protection	

Part No: 1000171472



Speed: 1	Wires: 2
Voltage: 12V	Length: 4" (101.3mm)
Rotation: CWSE	Motor Length: 3 23/32" (94.2mm)
Vent: V	Shaft Length: 1" (25.4mm)
Connector: Yazak	Diameter: 3" (74.4mm)
Stud Span: 2 5/16" (58.7mm)	Shaft Diameter: 5/16" (8mm)
Plug: Red/Black Yazak	

Part No: 1000182193



Speed: 2	Length: 3 1/16" (77.8mm)
Voltage: 12V	Motor Length: 2 5/8" (66.4mm)
Rotation: CCWSE	Shaft Length: 7/8" (22.2mm)
Mount: Stud	Diameter: 3" (76.2mm)
Vent: NV	Amps: 4.2 amp (high), 2.2 amp (low)
Shaft Diameter: 1/4" (6.4mm)	Stud Span: 2 5/16" (58.7mm)
Connector: Bare leads	Wires: 2
General Specifications: Internally Grounded, Thermal Protection 130°	

Single Shaft Motors

Part No: 1000222438



Speed: 1	Wires: 2
Voltage: 12V	Length: 4 51/64" (121.84mm)
Rotation: CWSE	Motor Length: 4 19/64" (109.04mm)
Vent: V	Shaft Length: 1 1/32" (26.32mm)
Shaft Diameter: 5/16" (7.93mm)	Diameter: 2 31/32" (75.35mm)
Connector: Packard	Plug: Packard #12064750 Connector
General Specifications: RFI Protection	

Part No: 1000223680



Speed: 1	Wires: 2
Voltage: 12V	Length: 4 1/2" (114.3mm)
Rotation: CWSE	Motor Length: 4 5/16" (109.5mm)
Mount: Flange	Shaft Length: 1 3/16" (30.1mm)
Vent: V	Diameter: 2 15/16" (74.6mm)
Shaft Diameter: 5/16" (8mm)	Amps: 16 amp max
Connector: Waytek	Plug: Waytek #32714 Connector

Part No: 1000255724



Speed: 2	Length: 4 7/16" (112.7mm)
Voltage: 12V	Motor Length: 3 9/16" (90mm)
Rotation: CWSE	Shaft Length: 1 3/8" (35mm)
Mount: Stud	Diameter: 3" (76.2mm)
Vent: V	Amps: 7.5 amp (high), 4.3 amp (low)
Shaft Diameter: 5/16" (8mm)	Stud Span: 2 5/16" (58.7mm)
Connector: Bare leads	Wires: 2
General Specifications: Thermal Protection 140°	

Part No: 1000321333



Speed: 2	Length: 4" (101.6mm)
Voltage: 12V	Motor Length: 3 9/16" (90mm)
Rotation: CWSE	Shaft Length: 1" (25.4mm)
Mount: Stud	Diameter: 3" (76.2mm)
Vent: V	Amps: 9 amp max
Shaft Diameter: 5/16" (8mm)	Stud Span: 2 5/16" (58.9mm)
Connector: Bare leads, ring terminal	Wires: 3
General Specifications: Thermal Protection 160°	

Part No: 1000348812



Speed: 1	Length: 4 1/2" (114.3mm)
Voltage: 12V	Motor Length: 4" (101.6mm)
Rotation: CCWCE	Shaft Length: 1 1/4" (31.8mm)
Mount: Strap	Diameter: 3 1/8" (78mm)
Vent: NV	Amps: 14.5 amp max
Shaft Diameter: 5/16" (8mm)	Stud Span: 2 5/16" (58.7mm)
Connector: Henan Tianhai	Wires: 2
General Specifications: Dust cap	

Part No: 1000348813



Speed: 1	Length: 4 1/2" (114.3mm)
Voltage: 24V	Motor Length: 4" (101.6mm)
Rotation: CCWCE	Shaft Length: 1 1/4" (31.8mm)
Mount: Strap	Diameter: 3 1/8" (78mm)
Vent: NV	Amps: 7.5 amp max
Shaft Diameter: 5/16" (8mm)	Stud Span: 2 5/16" (58.7mm)
Connector: Henan Tianhai	Wires: 2
General Specifications: Dust cap	

Part No: 1000356768



Speed: 2	Length: 4" (101.6mm)
Voltage: 12V	Motor Length: 3 1/8" (79.4mm)
Rotation: REV	Shaft Length: 1 7/16" (36.5mm)
Mount: Stud	Diameter: 3" (76.2mm)
Vent: V	Shaft Diameter: 5/16" (8mm)
Connector: Bare leads	Amps: 9.1 amp (high), 4.9 amp (low)
General Specifications: Thermal Protection 160°	Stud Span: 2 5/16" (58.7mm)
Wires: 5	Plug: All-Strip Wire

Part No: 1000426128



Speed: 2	Wires: 3
Voltage: 12V	Length: 4" (101.6mm)
Rotation: CWSE	Motor Length: 3 9/16" (90mm)
Mount: Stud	Shaft Length: 1 3/16" (30.1mm)
Vent: V	Diameter: 3" (76.2mm)
Shaft Diameter: 5/16" (8mm)	Amps: 9 amp max
Connector: Amp	Stud Span: 2 5/16" (58.9mm)
General Specifications: Thermal Protection 160°	Plug: AMP #350767-1 Connector

Part No: 1000477193



Speed: 1	Length: 6 7/16" (163.5mm)
Voltage: 12V	Width: 7 3/16" (183mm)
Rotation: CWSE	Diameter: 3" (76.2mm)
Mount: Flange	Wires: 2
Vent: V	

Single Shaft Motors

Part No: 1000477197



Speed: 1	Wires: 2
Voltage: 12V	Width: 6 3/8" (162.6mm)
Rotation: CWSE	Diameter: 3" (76.2mm)
Mount: Flange	Shaft Diameter: 1/4" (6.4mm)
Vent: V	Connector: Yazaki
Plug: Yazaki 7283-5590-40	

Part No: 1000694282



Speed: 1	Wires: 2
Voltage: 12V	Length: 4 3/4" (120.7mm)
Rotation: CCWLE	Motor Length: 4 9/16" (116mm)
Mount: Stud	Shaft Length: 1 5/8" (41.3mm)
Vent: V	Diameter: 2 15/16" (74.6mm)
Shaft Diameter: 5/16" (8mm)	Amps: 26.5 amp max
Connector: Yazaki	Stud Span: 2 5/16" (58.7mm)
Plug: Yakaki #7783-6458-40 Connector	

Part No: 1001266966



Speed: 1	Length: 4 1/4" (108mm)
Voltage: 12V	Motor Length: 4" (101.6mm)
Rotation: CWSE	Shaft Length: 1 5/16" (33.3mm)
Mount: Flange	Diameter: 2 15/16" (74.6mm)
Shaft Diameter: #10-32 UNF-2A thread	

Part No: 1001276674



Voltage: 12V

Part No: 1001429553



Speed: 1	Plug: Sebro #1531 & 1461 Connector
Voltage: 12V	Length: 4 3/4" (120.7mm)
Rotation: CCWCE	Motor Length: 4 9/16" (116mm)
Mount: Stud	Shaft Length: 1 5/8" (41.3mm)
Vent: V	Diameter: 2 15/16" (74.6mm)
Shaft Diameter: 5/16" (8mm)	Amps: 26.5 amp max

Part No: 1001582686



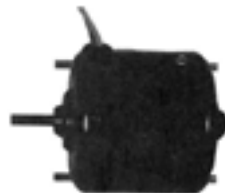
Speed: 1	Wires: 2
Voltage: 12V	Length: 7 5/16" (185.7mm)
Rotation: CCWSE	Motor Length: 5 5/16" (135mm)
Mount: Strap	Shaft Length: 2" (50.8mm)
Vent: V	Diameter: 3" (76.2mm)
Shaft Diameter: 5/16" (8mm)	Stud Span: 2 5/16" (58.7mm)
Connector: Ring Terminal	Plug: AMP 12-#10 Ring Terminal

Part No: 1001587278



Speed: 1	Wires: 2
Voltage: 12V	Length: 6 13/16" (173mm)
Rotation: CCWSE	Motor Length: 4 13/16" (122.2mm)
Mount: Strap	Shaft Length: 2" (50.8mm)
Vent: V	Diameter: 3" (76.2mm)
Shaft Diameter: 5/16" (8mm)	Stud Span: 2 5/16" (58.7mm)
Connector: Ring Terminal	Plug: AMP 12-#10 Ring Terminal

Part No: B274284



Speed: 2	Length: 3 1/16" (77.8mm)
Voltage: 24V	Motor Length: 2 5/8" (66.4mm)
Rotation: CCWSE	Shaft Length: 7/8" (22.2mm)
Mount: Stud	Diameter: 3" (76.2mm)
Vent: NV	Amps: 4.2 amp (high), 2.2 amp (low)
Shaft Diameter: 1/4" (6.4mm)	Stud Span: 2 5/16" (58.7mm)
Connector: Bare leads	Wires: 2
General Specifications: Internally Grounded, Thermal Protection 125°	

Part No: B275130



Speed: 1	Wires: 2
Voltage: 12V	Length: 4 11/16" (119mm)
Rotation: CWSE	Motor Length: 4" (101.6mm)
Mount: Strap	Shaft Length: 1 1/4" (31.8mm)
Vent: NV	Diameter: 3 1/16" (77.8mm)
Shaft Diameter: 5/16" (8mm)	Amps: 16 amp max
Connector: Amp	Plug: Orange AMP 60793-1 Connector Black AMP 60799-2 Connector

Single Shaft Motors

Part No: B275140



Speed: 1	Wires: 2
Voltage: 12V	Length: 3 15/16" (100mm)
Rotation: CWSE	Motor Length: 3 11/16" (93.7mm)
Mount: Stud	Shaft Length: 1 3/8" (35mm)
Vent: V	Diameter: 2 15/16" (74.6mm)
Shaft Diameter: 5/16" (8mm)	Amps: 16 amp max
Connector: Amp	Stud Span: 2 5/16" (58.7mm)
Plug: Orange AMP 60793-1 Connector Black AMP 60799-2 Connector	

Part No: B275141



Speed: 1	Wires: 2
Voltage: 12V	Length: 3 15/16" (100mm)
Rotation: CCWSE	Motor Length: 3 11/16" (93.7mm)
Mount: Stud	Shaft Length: 1 3/8" (35mm)
Vent: V	Diameter: 2 15/16" (74.6mm)
Shaft Diameter: 5/16" (8mm)	Amps: 16 amp max
Connector: Amp	Stud Span: 2 5/16" (58.7mm)
Plug: Orange AMP 60793-1 Connector Black AMP 60799-2 Connector	

Part No: B275165



Speed: 1	Plug: Red/White AMP 60793-1 Connector Black AMP 60799-2 Connector
Voltage: 12V	Length: 4 1/2" (114.3mm)
Rotation: CCWSE	Motor Length: 4" (101.6mm)
Mount: Strap	Shaft Length: 1 3/16" (30.1mm)
Vent: NV	Diameter: 3 1/8" (78mm)
Shaft Diameter: 5/16" (8mm)	Wires: 2
Connector: Amp	Amps: 14.5 amp max
General Specifications:	Stud Span: 2 5/16" (58.7mm)
Dust cap	

Part No: B275166



Speed: 1	Length: 2 15/16" (74.6mm)
Voltage: 12V	Motor Length: 2 9/16" (64mm)
Rotation: CCWSE	Shaft Length: 7/8" (22.2mm)
Mount: Strap	Diameter: 3" (76.2mm)
Vent: NV	Amps: 8 amp max
Shaft Diameter: 5/16" (8mm)	Stud Span: 2 5/16" (58.7mm)
Connector: Amp	Wires: 2

Part No: B275190



Speed: 1	Wires: 2
Voltage: 12V	Length: 4 1/4" (108mm)
Rotation: CWSE	Motor Length: 4 1/16" (103mm)
Mount: Stud	Shaft Length: 1 13/16" (46mm)
Vent: V	Diameter: 2 15/16" (74.6mm)
Shaft Diameter: 5/16" (8mm)	Amps: 20 amp max
Connector: Amp	Stud Span: 2 5/16" (58.7mm)
Plug: Orange AMP 60793-1 Connector Black AMP 60799-2 Connector	

Part No: B275232



Speed: 1	Wires: 2
Voltage: 24V	Length: 4 7/8" (123.8mm)
Rotation: CWSE	Motor Length: 4 3/16" (106.4mm)
Mount: Stud	Shaft Length: 1 9/16" (39.6mm)
Vent: NV	Diameter: 3 1/16" (77.8mm)
Shaft Diameter: 5/16" (8mm)	Stud Span: 2 1/2" (63.5mm)
Connector: Weatherpack	Plug: W.T. #12010973 Connector

Part No: B275240



Speed: 1	Plug: Orange AMP 60793-1 Connector Black AMP 60799-2 Connector
Voltage: 24V	Length: 3 7/8" (98.4mm)
Rotation: CWSE	Motor Length: 3 11/16" (93.7mm)
Mount: Strap	Shaft Length: 1 3/8" (35mm)
Vent: V	Diameter: 2 15/16" (74.6mm)
Shaft Diameter: 5/16" (8mm)	Amps: 7.5 amp max
Connector: Amp	Stud Span: 2 5/16" (58.7mm)

Part No: B275241



Speed: 1	Wires: 2
Voltage: 24V	Length: 3 15/16" (100mm)
Rotation: CCWSE	Motor Length: 3 11/16" (93.7mm)
Mount: Stud	Shaft Length: 1 3/8" (35mm)
Vent: V	Diameter: 2 15/16" (74.6mm)
Shaft Diameter: 5/16" (8mm)	Amps: 9 amp max
Connector: Amp	Stud Span: 2 5/16" (58.7mm)
Plug: Orange AMP 60793-1 Connector Black AMP 60799-2 Connector	

Part No: B275265



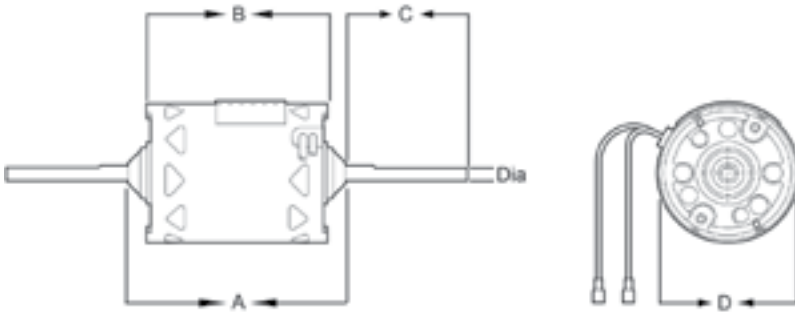
Speed: 1	Plug: Red/White AMP 60793-1 Connector Black AMP 60799-2 Connector
Voltage: 24V	Length: 4 1/2" (114.3mm)
Rotation: CWSE	Motor Length: 4" (101.6mm)
Mount: Strap	Shaft Length: 1 1/4" (31.8mm)
Vent: NV	Diameter: 3 1/8" (78mm)
Shaft Diameter: 5/16" (8mm)	Wires: 2
Connector: Amp	Amps: 7.5 amp max
General Specifications:	Stud Span: 2 5/16" (58.7mm)
Dust cap	

Single Shaft Motors



Speed: 1	Length: 2 15/16" (74.6mm)
Voltage: 24V	Motor Length: 2 9/16" (64mm)
Rotation: CCWSE	Shaft Length: 7/8" (22.2mm)
Mount: Strap	Diameter: 3" (76.2mm)
Vent: NV	Amps: 4 amp max
Shaft Diameter: 5/16" (8mm)	Stud Span: 2 5/16" (58.7mm)
Connector: Amp	

Double Shaft Motors



Notes:

On single shaft motor, rotation is determined by viewing motor from shaft end.

Legend:

- A = Overall Length
- B = Motor Length
- C = Shaft Length
- D = Motor Diameter
- Dia = Shaft Diameter
- CE = Closed End
- SE = Shaft End

5/16" Shaft Diameter Double Motor Specifications

Overall Length (A)	Motor Length (B)	Shaft Length (C)	Motor Diameter (D)	Speed	Volt	Rotation	Mount	Shaft Diameter	Vent	Part No
3 1/2" (88.9mm)	3" (76.2mm)	3" (76.2mm)	3" (76.2mm)	3	12	CW/CCW	Strap	5/16" (8mm)	NV	203336
3 3/4" (95.3mm)	3 7/16" (86.5mm)	3 1/8" (79.4mm)	3" (76.2mm)	3	12	CCW	Stud	5/16" (8mm)	V	203335
4" (101.6mm)	3 3/8" (85.7mm)	3 1/8" (79.4mm)	3" (76.2mm)	1	12	CCW	Strap	5/16" (8mm)	V	203179
4 3/8" (111.1mm)	4 1/16" (103mm)	2 13/16" (71.4mm)	2 15/16" (74.6mm)	1	12	CCWCE	Strap	5/16" (8mm)	V	203061
4 7/16" (112.7mm)	3 11/16" (93.7mm)	3 1/16" (77.8mm)	3" (76.2mm)	1	24	CCWCE	Strap	5/16" (8mm)	V	B275202
4 7/16" (112.7mm)	3 11/16" (93.7mm)	3 1/16" (77.8mm)	3" (76.2mm)	1	12	CCWCE	Strap	5/16" (8mm)	V	B275102
4 1/2" (114.3mm)	4 1/16" (103mm)	2 13/16" (71.4mm)	2 15/16" (74.6mm)	1	12	CCWCE	Strap	5/16" (8mm)	V	205780
4 1/2" (114.3mm)	4 1/16" (103mm)	2 9/16" (65mm)	2 15/16" (74.6mm)	1	12	CCWCE	Stud	5/16" (8mm)	V	B275152
4 1/2" (114.3mm)	4 1/16" (103mm)	3 13/16" (95.9mm)	2 15/16" (74.6mm)	1	12	CCWCE	Strap	5/16" (8mm)	V	203212
4 1/2" (114.3mm)	4 1/16" (103mm)	2 13/16" (71.4mm)	2 15/16" (74.6mm)	1	12	CCWCE	Strap	5/16" (8mm)	V	203253
4 9/16" (115.9mm)	4 3/8" (111.1mm)	2 7/8" (71.8mm)	3 1/16" (77.8mm)	1	12	CCWCE	Strap	5/16" (8mm)	V	205840
4 3/4" (120.7mm)	4 5/16" (109.5mm)	2 15/16" (74.6mm)	2 15/16" (74.6mm)	1	12	CCWCE	Stud	5/16" (8mm)	V	B275156
4 7/8" (123.8mm)	4 1/2" (114.3mm)	3 1/16" (77.8mm)	2 15/16" (74.6mm)	1	12	CCWCE	Strap	5/16" (8mm)	V	203134
4 7/8" (123.8mm)	4 9/16" (116mm)	2 5/8" (66.7mm)	2 15/16" (74.6mm)	1	12	CCWCE	Stud	5/16" (8mm)	V	203090
4 13/16" (122.2mm)	4 5/16" (109.5mm)	2 15/16" (74.6mm)	2 15/16" (74.6mm)	1	24	CCWCE	Strap	5/16" (8mm)	NV	B275256
4 13/16" (122.2mm)	4 3/8" (111.1mm)	2 5/8" (66.7mm)	3 1/8" (78mm)	1	24	CCWCE	Strap	5/16" (8mm)	V	B275258
4 15/16" (125.4mm)	3 15/16" (100mm)	2 11/16" (68.3mm)	3 1/16" (77.8mm)	1	24	CCWLE	Stud	5/16" (8mm)	V	B275254
5" (127mm)	4 9/16" (116mm)	2 9/16" (65mm)	2 15/16" (74.6mm)	1	12	CCWCE	Strap	5/16" (8mm)	V	203080
5" (127mm)	4 9/16" (116mm)	2 9/16" (65mm)	2 15/16" (74.6mm)	1	12	CCWCE	Strap	5/16" (8mm)	V	B275181
5 5/16" (134.9mm)	4 9/16" (116mm)	2 3/8" (60.3mm)	2 15/16" (74.6mm)	1	12	CCWCE	-	5/16" (8mm)	V	203235
5 7/16" (138.1mm)	4 9/16" (116mm)	2 13/16" (71.4mm)	3 1/16" (77.8mm)	1	12	CCWCE	Strap	5/16" (8mm)	NV	203072
5 9/16" (134.1mm)	4 9/16" (116mm)	2 5/16" (58.2mm)	2 15/16" (74.6mm)	1	12	CCWCE	Strap	5/16" (8mm)	V	205853

Double Shaft Motors

Part No: 203061



Speed: 1	Length: 4 3/8" (111.1mm)
Voltage: 12V	Motor Length: 4 1/16" (103mm)
Rotation: CCWCE	Shaft Length: 2 13/16" (71.4mm)
Mount: Strap	Diameter: 2 15/16" (74.6mm)
Vent: V	Amps: 21 amp max
Shaft Diameter: 5/16" (8mm)	Stud Span: 2 5/16" (58.7mm)
Connector: Amp	Wires: 2

Part No: 203072



Speed: 1	Plug: Packard #2973781 Connector
Voltage: 12V	Length: 5 7/16" (138.1mm)
Rotation: CCWCE	Motor Length: 4 9/16" (116mm)
Mount: Strap	Shaft Length: 2 13/16" (71.4mm)
Vent: NV	Diameter: 3 1/16" (77.8mm)
Shaft Diameter: 5/16" (8mm)	Amps: 20 amp max
Connector: Packard	Wires: 2

Part No: 203080



Speed: 1	Length: 5" (127mm)
Voltage: 12V	Motor Length: 4 9/16" (116mm)
Rotation: CCWCE	Shaft Length: 2 9/16" (65mm)
Mount: Strap	Diameter: 2 15/16" (74.6mm)
Vent: V	Amps: 25 amp max
Shaft Diameter: 5/16" (8mm)	Wires: 2
Connector: Amp	

Part No: 203090



Speed: 1	Wires: 2
Voltage: 12V	Length: 4 7/8" (123.8mm)
Rotation: CCWCE	Motor Length: 4 9/16" (116mm)
Mount: Stud	Shaft Length: 2 5/8" (66.7mm)
Vent: V	Diameter: 2 15/16" (74.6mm)
Shaft Diameter: 5/16" (8mm)	Amps: 23.5 amp max
Plug: Packard #2973781 Connector	Stud Span: 2 5/16" (58.7mm)

Part No: 203134



Speed: 1	Wires: 2
Voltage: 12V	Length: 4 7/8" (123.8mm)
Rotation: CCWCE	Motor Length: 4 1/2" (114.3mm)
Mount: Strap	Shaft Length: 3 1/16" (77.8mm)
Vent: V	Diameter: 2 15/16" (74.6mm)
Shaft Diameter: 5/16" (8mm)	Amps: 16.5 amp max
Connector: Packard	Stud Span: 2 5/16" (58.7mm)
Plug: Packard #2984528 Connector	

Part No: 203179



Speed: 1	Length: 4" (101.6mm)
Voltage: 12V	Motor Length: 3 3/8" (85.7mm)
Rotation: CCW	Shaft Length: 3 1/8" (79.4mm)
Mount: Strap	Diameter: 3" (76.2mm)
Vent: V	Shaft Diameter: 5/16" (8mm)

Part No: 203212



Speed: 1	Wires: 2
Voltage: 12V	Length: 4 1/2" (114.3mm)
Rotation: CCWCE	Motor Length: 4 1/16" (103mm)
Mount: Strap	Shaft Length: 3 13/16" (95.9mm)
Vent: V	Diameter: 2 15/16" (74.6mm)
Shaft Diameter: 5/16" (8mm)	Amps: 16.5 amp max
Plug: AMP # 640416-2	Stud Span: 2 5/16" (58.7mm)

Part No: 203235



Speed: 1	Length: 5 5/16" (134.9mm)
Voltage: 12V	Motor Length: 4 9/16" (116mm)
Rotation: CCWCE	Shaft Length: 2 3/8" (60.3mm)
Vent: V	Diameter: 2 15/16" (74.6mm)
Shaft Diameter: 5/16" (8mm)	Amps: 23 amp max
Connector: Amp	Wires: 2
General Specifications: RFI Protection	

Part No: 203253



Speed: 1	Length: 4 1/2" (114.3mm)
Voltage: 12V	Motor Length: 4 1/16" (103mm)
Rotation: CCWCE	Shaft Length: 2 13/16" (71.4mm)
Mount: Strap	Diameter: 2 15/16" (74.6mm)
Vent: V	Shaft Diameter: 5/16" (8mm)
Connector: Bare leads	Amps: 17.2 amp max
Wires: 2	Stud Span: 2 5/16" (58.7mm)

Double Shaft Motors

Part No: 203335



Speed: 3	Length: 3 3/4" (95.3mm)
Voltage: 12V	Motor Length: 3 7/16" (86.5mm)
Rotation: CCW	Shaft Length: 3 1/8" (79.4mm)
Mount: Stud	Diameter: 3" (76.2mm)
Vent: V	Shaft Diameter: 5/16" (8mm)

Part No: 203336



Speed: 3	Length: 3 1/2" (88.9mm)
Voltage: 12V	Motor Length: 3" (76.2mm)
Rotation: CW/CCW	Shaft Length: 3" (76.2mm)
Mount: Strap	Diameter: 3" (76.2mm)
Vent: NV	Shaft Diameter: 5/16" (8mm)

Part No: 205780



Speed: 1	Length: 4 1/2" (114.3mm)
Voltage: 12V	Motor Length: 4 1/16" (103mm)
Rotation: CCWCE	Shaft Length: 2 13/16" (71.4mm)
Mount: Strap	Diameter: 2 15/16" (74.6mm)
Vent: V	Amps: 18 amp max
Shaft Diameter: 5/16" (8mm)	Stud Span: 2 5/16" (58.7mm)
Connector: Amp	Wires: 2

Part No: 205840



Speed: 1	Length: 4 9/16" (115.9mm)
Voltage: 12V	Motor Length: 4 3/8" (111.1mm)
Rotation: CCWCE	Shaft Length: 2 7/8" (71.8mm)
Mount: Strap	Diameter: 3 1/16" (77.8mm)
Vent: V	Shaft Diameter: 5/16" (8mm)
Connector: Amp	Wires: 2

Part No: 205853



Speed: 1	Length: 5 9/16" (134.1mm)
Voltage: 12V	Motor Length: 4 9/16" (116mm)
Rotation: CCWCE	Shaft Length: 2 5/16" (58.2mm)
Mount: Strap	Diameter: 2 15/16" (74.6mm)
Vent: V	Amps: 23.5 amp
Shaft Diameter: 5/16" (8mm)	Stud Span: 2 5/16" (58.7mm)
Connector: Amp	Wires: 2

Part No: B275102



Speed: 1	Wires: 2
Voltage: 12V	Length: 4 7/16" (112.7mm)
Rotation: CCWCE	Motor Length: 3 11/16" (93.7mm)
Mount: Strap	Shaft Length: 3 1/16" (77.8mm)
Vent: V	Diameter: 3" (76.2mm)
Shaft Diameter: 5/16" (8mm)	Amps: 19.5 amp max
Connector: Amp	Plug: Orange AMP 60793-1 Connector Black AMP 60799-2 Connector

Part No: B275152



Speed: 1	Length: 4 1/2" (114.3mm)
Voltage: 12V	Motor Length: 4 1/16" (103mm)
Rotation: CCWCE	Shaft Length: 2 9/16" (65mm)
Mount: Stud	Diameter: 2 15/16" (74.6mm)
Vent: V	Amps: 21 amp max
Shaft Diameter: 5/16" (8mm)	Stud Span: 2 5/16" (58.7mm)
Connector: Amp	Wires: 2

Part No: B275156



Speed: 1	Length: 4 3/4" (120.7mm)
Voltage: 12V	Motor Length: 4 5/16" (109.5mm)
Rotation: CCWCE	Shaft Length: 2 15/16" (74.6mm)
Mount: Stud	Diameter: 2 15/16" (74.6mm)
Vent: V	Amps: 21 amp max
Shaft Diameter: 5/16" (8mm)	Stud Span: 2 5/16" (58.7mm)
Connector: Amp	Wires: 2

Part No: B275181



Speed: 1	Length: 5" (127mm)
Voltage: 12V	Motor Length: 4 9/16" (116mm)
Rotation: CCWCE	Shaft Length: 2 9/16" (65mm)
Mount: Strap	Diameter: 2 15/16" (74.6mm)
Vent: V	Amps: 25 amp max
Shaft Diameter: 5/16" (8mm)	Stud Span: 2 5/16" (58.7mm)
Connector: Amp	Wires: 2

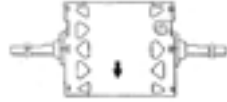
Double Shaft Motors

Part No: B275202



Speed: 1	Wires: 2
Voltage: 24V	Length: 4 7/16" (112.7mm)
Rotation: CCWCE	Motor Length: 3 11/16" (93.7mm)
Mount: Strap	Shaft Length: 3 1/16" (77.8mm)
Vent: V	Diameter: 3" (76.2mm)
Shaft Diameter: 5/16" (8mm)	Amps: 10.5 amp max
Connector: Amp	Plug: Orange AMP 60793-1 Connector Black AMP 60799-2 Connector

Part No: B275254



Speed: 1	Length: 4 15/16" (125.4mm)
Voltage: 24V	Motor Length: 3 15/16" (100mm)
Rotation: CCWLE	Shaft Length: 2 11/16" (68.3mm)
Mount: Stud	Diameter: 3 1/16" (77.8mm)
Vent: V	Shaft Diameter: 5/16" (8mm)
Connector: Amp	Wires: 2

Part No: B275256



Speed: 1	Length: 4 13/16" (122.2mm)
Voltage: 24V	Motor Length: 4 5/16" (109.5mm)
Rotation: CCWCE	Shaft Length: 2 15/16" (74.6mm)
Mount: Strap	Diameter: 2 15/16" (74.6mm)
Vent: NV	Amps: 10.5 amp max
Shaft Diameter: 5/16" (8mm)	Stud Span: 2 5/16" (58.7mm)
Connector: Amp	Wires: 2

Part No: B275258



Speed: 1	Length: 4 13/16" (122.2mm)
Voltage: 24V	Motor Length: 4 3/8" (111.1mm)
Rotation: CCWCE	Shaft Length: 2 5/8" (66.7mm)
Mount: Strap	Diameter: 3 1/8" (78mm)
Vent: V	Stud Span: 2 1/2" (63.5mm)
Shaft Diameter: 5/16" (8mm)	Wires: 2
Connector: Bare leads	

Blower Assemblies



Legend:

- A = Overall Length
- B = Width
- C = Height
- D = Diameter
- CE = Closed End
- LE = Lead End

Blower Assembly Specifications

Overall Length (A)	Width (B)	Height (C)	Diameter (D)	Speed	Volt	Rotation	Mount	Vent	Wires	Part No
-	-	-	-	-	12	CWSE	-	-	-	1000954752
-	-	-	-	-	12	-	-	-	-	1000734305
-	-	-	-	-	24	-	-	-	-	1003249622
-	-	-	-	-	-	-	-	-	-	1003348813
4 11/16" (119mm)	-	5 1/16" (128.6mm)	-	2	12	CCW	-	-	-	1000220907
9 13/16" (240mm)	-	-	2 15/16" (74.6mm)	1	12	CW	Strap	V	2	203356
12 29/32" (328mm)	6 2/5" (162.6mm)	-	8 7/32" (209mm)	1	12	CCWCE	-	V	2	1000427320
12 53/64" (326mm)	4 1/4" (108.1mm)	4 31/64" (113.9mm)	5 5/64" (129mm)	3	12	CCWCE	-	V	-	1000033591
12 13/16" (326mm)	4 1/2" (114.3mm)	5 1/8" (129mm)	-	3	12	CWSE	-	-	-	1001363523
12 7/8" (326mm)	-	-	5 1/8" (129mm)	1	12	CW	-	-	-	1000304978
12 7/8" (326mm)	4 1/2" (114.3mm)	-	5 1/8" (129mm)	1	24	CCWCE	Strap	V	-	1000304980
13 25/32" (349.3mm)	-	-	6 21/32" (169mm)	-	12	-	-	-	-	1001342517
13 25/32" (349.3mm)	5 5/16" (135.2mm)	5 17/32" (140.4mm)	-	1	12	CCWLE	Strap	V	2	B411343
13 3/4" (349.3mm)	5 3/8" (136.5mm)	5 1/8" (130mm)	-	1	12	CWLE	Strap	V	-	203268
13 13/16" (350.8mm)	5 5/16" (135.2mm)	5 1/2" (139.7mm)	6 11/16" (170mm)	1	12	CWCE	Strap	V	-	519714
13 13/16" (350.8mm)	5 3/8" (136.5mm)	5 9/16" (140mm)	6 5/8" (168mm)	1	12	CCWCE	Strap	V	2	1000153941
13 13/16" (350.8mm)	5 5/16" (135.2mm)	5 1/2" (139.7mm)	6 11/16" (170mm)	1	12	CCWCE	Strap	-	2	B411271
13 13/16" (350.8mm)	6 3/5" (167.6mm)	5 1/2" (139.7mm)	6 39/64" (167.6mm)	1	12	CCWCE	-	V	2	B411330
13 7/8" (352.3mm)	4" (101.6mm)	4 1/4" (108mm)	5" (127mm)	3	12	CCWCE	Strap	-	4	1000046148
13 7/8" (352.3mm)	4" (101.6mm)	4 1/4" (108mm)	5" (127mm)	2	12	CCWLE	Strap	-	3	1000046149
13 7/8" (352.3mm)	3 63/64" (101.3mm)	4 1/4" (107.5mm)	5" (127mm)	2	12	CCWCE	-	-	3	1000222667
13 7/8" (352.3mm)	3 15/16" (101mm)	4 1/4" (107.5mm)	5" (127mm)	3	12	-	-	-	-	1001044338
13 7/8" (352.3mm)	4 1/4" (108.1mm)	3 15/16" (101mm)	5" (127mm)	2	12	-	-	-	-	1002333250
13 7/8" (352.3mm)	4 1/8" (105mm)	4 7/16" (112.3mm)	5" (127mm)	1	12	CCWLE	Strap	-	2	B411193

Blower Assemblies

Blower Assembly Specifications

Overall Length (A)	Width (B)	Height (C)	Diameter (D)	Speed	Volt	Rotation	Mount	Vent	Wires	Part No
13 7/8" (352.3mm)	3 63/64" (101.3mm)	4 1/4" (107.5mm)	5" (127mm)	3	12	CCWCE	-	-	4	B411465
13 7/8" (352.3mm)	4" (101.6mm)	4 1/4" (108mm)	5" (127mm)	3	12	-	-	-	4	B944184
13 7/8" (352.3mm)	5" (127mm)	4 1/4" (107.5mm)	-	3	12	-	-	-	-	091199C002
14 13/16" (376mm)	6 1/2" (165mm)	6 55/64" (174.2mm)	7 19/32" (193mm)	1	12	CCWCE	-	V	2	1001612436
14 13/16" (376mm)	6 1/2" (165mm)	2 11/16" (68.3mm)	7 5/16" (186mm)	1	12	CCWCE	Strap	V	-	1001616296

Part No: 203268



Speed: 1	Length: 13 3/4" (349.3mm)
Voltage: 12V	Motor Length: 5 3/8" (136.5mm)
Rotation: CWLE	Width: 5 3/8" (136.5mm)
Mount: Strap	Shaft Length: 5 1/8" (130.2mm)
Vent: V	Height: 5 1/8" (130mm)

Part No: 203356



Speed: 1	Length: 9 13/16" (249mm)
Voltage: 12V	Motor Length: 4 1/16" (103mm)
Rotation: CW	Shaft Length: 2" (50.8mm)
Mount: Strap	Diameter: 2 15/16" (74.6mm)
Vent: V	Amps: 25.7 amp
Shaft Diameter: 5/16" (8mm)	Wires: 2
Connector: Packard	

Part No: 519714



Speed: 1	Length: 13 13/16" (350.8mm)
Voltage: 12V	Motor Length: 5 5/16" (135mm)
Rotation: CWCE	Width: 5 5/16" (135mm)
Mount: Strap	Shaft Length: 5 9/16" (141.3mm)
Vent: V	Diameter: 6 11/16" (170mm)
Height: 5 1/2" (139.7mm)	Amps: 22 amp

Part No: 1000033591



Speed: 3	Length: 12 53/64" (326mm)
Voltage: 12V	Motor Length: 4 1/4" (108.1mm)
Rotation: CCWCE	Width: 4 1/4" (108.1mm)
Vent: V	Shaft Length: 4 31/64" (114mm)
Height: 4 31/64" (113.9mm)	Diameter: 5 5/64" (129mm)
General Specifications: with Resistor	Amps: 36.38 amp

Part No: 1000046148



Speed: 3	Wires: 4
Voltage: 12V	Length: 13 7/8" (352.3mm)
Rotation: CCWCE	Motor Length: 4" (101.6mm)
Mount: Strap	Width: 4" (101.6mm)
Height: 4 1/4" (108mm)	Shaft Length: 4 1/4" (108mm)
Shaft Diameter: 5/16" (8mm)	Diameter: 5" (127mm)
General Specifications: Thermal Protection 160°	Amps: 18.5 amp max
Plug: Packard #12015664 Connector	

Part No: 1000046149



Speed: 2	Wires: 3
Voltage: 12V	Length: 13 7/8" (352.3mm)
Rotation: CCWLE	Motor Length: 4" (101.6mm)
Mount: Strap	Width: 4" (101.6mm)
Height: 4 1/4" (108mm)	Shaft Length: 4 1/4" (108mm)
Plug: Packard #12124753	Diameter: 5" (127mm)
General Specifications: Thermal Protection 160°	Amps: 18.5 amp max

Blower Assemblies

Part No: 1000153941



Speed: 1	Wires: 2
Voltage: 12V	Length: 13 13/16" (350.8mm)
Rotation: CCWCE	Motor Length: 5 5/16" (135mm)
Mount: Strap	Width: 5 3/8" (136.5mm)
Vent: V	Shaft Length: 5 9/16" (141.3mm)
Height: 5 9/16" (140mm)	Diameter: 6 5/8" (168mm)
General Specifications: RFI Protection	Amps: 20 amp max
Plug: Packard #2064750 Connector	

Part No: 1000220907



Speed: 2	Plug: AMP #770025-1 Connector
Voltage: 12V	Length: 4 11/16" (119mm)
Rotation: CCW	Shaft Length: 5 1/16" (128.6mm)
Height: 5 1/16" (128.59mm)	Diameter: 5 3/4" (146mm)
Wires: 3	Amps: 9.5 amp max

Part No: 1000222667



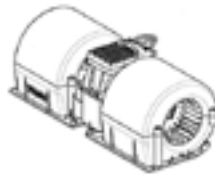
Speed: 2	Length: 13 7/8" (352.3mm)
Voltage: 12V	Motor Length: 3 63/64" (101.3mm)
Rotation: CCWCE	Width: 4" (101.6mm)
Height: 4 15/64" (107.55mm)	Shaft Length: 4 1/4" (107.5mm)
Amps: 14.2 amp max	Diameter: 5" (127mm)
General Specifications: Thermal Protection 140°	Wires: 3

Part No: 1000304978



Speed: 1	Length: 12 7/8" (326mm)
Voltage: 12V	Shaft Length: 4 1/2" (114mm)
Rotation: CW	Diameter: 5 1/8" (129mm)

Part No: 1000304980



Speed: 1	Length: 12 7/8" (326mm)
Voltage: 24V	Motor Length: 4 1/2" (114.3mm)
Rotation: CCWCE	Width: 4 1/2" (114.3mm)
Mount: Strap	Shaft Length: 4 1/2" (114mm)
Vent: V	Diameter: 5 1/8" (129mm)
Amps: 35 amp	

Part No: 1000427320



Speed: 1	Length: 12 29/32" (328mm)
Voltage: 12V	Motor Length: 6 13/32" (162.56mm)
Rotation: CCWCE	Width: 6 2/5" (162.56mm)
Vent: V	Shaft Length: 6 25/64" (162mm)
Amps: 23.4 amp	Diameter: 8 7/32" (209mm)
General Specifications: RFI Protection	Wires: 2

Part No: 1000734305



Voltage: 24V

Part No: 1000954752



Voltage: 12V	Rotation: CWSE
--------------	----------------

Part No: 1001044338



Speed: 3	Length: 13 7/8" (352.3mm)
Voltage: 12V	Width: 3 15/16" (101mm)
Height: 4 1/4" (107.5mm)	Diameter: 5" (127mm)
Mounting Width: 3 1/25" (88.6mm)	Plug: Delphi #12129135 Connector

Blower Assemblies

Part No: 1001342517



Voltage: 12V	Length: 13 25/32" (350mm)
Shaft Length: 5 33/64" (140mm)	Motor Length: 5 5/16" (135.2mm)
Diameter: 6 21/32" (169mm)	Amps: 22 amp max

Part No: 1001363523



Speed: 3	Rotation: CWSE
Voltage: 12V	Vent: V
Length: 12 13/16" (326mm)	Width: 4 1/2" (114.3mm)
Height: 5 1/8" (130mm)	

Part No: 1001612436



Speed: 1	Length: 14 13/16" (376mm)
Voltage: 12	Motor Length: 6 1/2" (165mm)
Rotation: CCWCE	Width: 6 1/2" (165.1mm)
Vent: V	Shaft Length: 6 55/64" (174mm)
Height: 6 55/64" (174.2mm)	Diameter: 7 19/32" (193mm)
Wires: 2	Amps: 18 amp
General Specifications: RFI Protection	

Part No: 1001616296



Speed: 1	Length: 14 13/16" (376mm)
Voltage: 12V	Motor Length: 6 1/2" (165mm)
Rotation: CCWCE	Width: 6 1/2" (165mm)
Mount: Strap	Shaft Length: 2 11/16" (68.3mm)
Vent: V	Diameter: 7 5/16" (186mm)
Height: 6 7/8" (174mm)	Shaft Diameter: 5/16" (8mm)
General Specifications: RFI Protection	

Part No: 1002333250



Speed: 2	Length: 13 7/8" (352.3mm)
Voltage: 12V	Width: 4 1/4" (107.5mm)
Height: 3 15/16" (101mm)	Diameter: 5" (127mm)

Part No: 1003249622



Voltage: 24V

Part No: 1003348813



--

Part No: B411193



Speed: 1	Length: 13 7/8" (352.3mm)
Voltage: 12V	Motor Length: 4 1/8" (105mm)
Rotation: CCWLE	Width: 4 1/8" (105mm)
Mount: Strap	Shaft Length: 4 7/16" (112.7mm)
Height: 4 7/16" (112.3mm)	Diameter: 5" (127mm)
Wires: 2	Amps: 16 amp max

Part No: B411271



Speed: 1	Length: 13 13/16" (350.8mm)
Voltage: 24V	Motor Length: 5 5/16" (135mm)
Rotation: CCWCE	Width: 5 5/16" (135mm)
Mount: Strap	Shaft Length: 5 9/16" (141.3mm)
Height: 5 1/2" (139.7mm)	Diameter: 6 11/16" (170mm)
Wires: 2	Amps: 15.8 amp max
General Specifications: RFI Protection	

Blower Assemblies

Part No: B411330



Speed: 1	Length: 13 13/16" (350.5mm)
Voltage: 12V	Motor Length: 5 5/16" (135.38mm)
Rotation: CCWCE	Width: 6 3/5" (167.6mm)
Vent: V	Shaft Length: 5 1/2" (139.7mm)
Height: 5 1/2" (139.7mm)	Diameter: 6 39/64" (167.6mm)
Shaft Diameter: 5/16" (8mm)	Amps: 21 amp max
Wires: 2	

Part No: B411343



Speed: 1	Rotation: CCWLE
Voltage: 12V	Vent: V
Length: 13 25/32" (349.8mm)	Width: 5 5/16" (135.2mm)
Mount: Strap	Height: 5 17/32" (140.4mm)
Wires: 2	Amps: 20 amp max
General Specifications: RFI Protection	

Part No: B411465



Speed: 3	Plug: Fleck #A-3-2 Connector
Voltage: 12V	Length: 13 7/8" (352.3mm)
Rotation: CCWCE	Motor Length: 3 63/64" (101.3mm)
Height: 4 13/64" (106.7mm)	Shaft Length: 4 1/4" (107.5mm)
Amps: 14.2 amp max	Diameter: 5" (127mm)
General Specifications: Thermal Protection 140°	
Wires: 4	

Part No: B944184



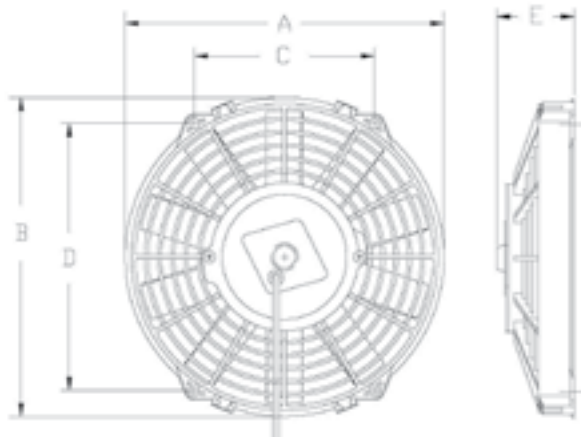
Speed: 3	Length: 13 7/8" (352.3mm)
Voltage: 12V	Motor Length: 4" (101.6mm)
Amps: 14.2 amp max	Shaft Length: 4 1/4" (108mm)
Wires: 4	Diameter: 5" (127mm)
General Specifications: Thermal Protection 140°	

Part No: 091199C002



Speed: 3	Length: 13 7/8" (352.3mm)
Voltage: 12V	Width: 5" (127mm)
Height: 4 1/4" (107.5mm)	

Condenser Fan Assemblies



Legend:

- A = Overall Height
- B = Overall Width
- C = Mounting Width
- D = Mounting Height
- E = Thickness

Condenser Fan Assembly Specifications

Overall Height (A)	Overall Width (B)	Mounting Width (C)	Mounting Height (D)	Thickness (E)	Speed	Volt	Rotation	Type	Vent	Part No
6 3/4" (172mm)	6 3/4" (172mm)	-	-	2" (51mm)	1	12	-	-	-	1001745142
11 1/16" (283.5mm)	10 1/2" (284mm)	5 5/8" (142.3mm)	9 3/4" (247mm)	2" (51mm)	1	12	CW	Puller	NV	1002479301
11 15/16" (304mm)	11 15/16" (304mm)	6 13/16" (172.6mm)	11 3/4" (299mm)	2 1/4" (57mm)	1	24	CW	Pusher	NV	1002477045
12 1/16" (309.5mm)	11 1/2" (294mm)	6 1/16" (154.5mm)	10 1/2" (269mm)	2" (51mm)	1	12	CW	Puller	NV	1002478731
12 1/4" (310mm)	11 9/16" (294mm)	6 1/8" (155mm)	10 9/16" (269mm)	2 3/4" (68.9mm)	1	12	CW	Puller	-	1002712150
14 1/4" (361mm)	13 1/2" (344.5mm)	7 1/16" (180.5mm)	9 3/4" (247mm)	2" (51mm)	1	12	CCW	Puller	NV	1002479122
15" (382mm)	14 7/16" (367mm)	7 1/2" (191mm)	13" (331mm)	2 7/16" (63mm)	1	12	CCW	Puller	NV	1001216705
16 1/4" (414mm)	15 3/4" (400mm)	8 1/8" (206.5mm)	14 1/16" (358mm)	2 1/2" (63mm)	-	12	CW	Puller	NV	1001284911
16 5/16" (414mm)	15 3/4" (400mm)	8 1/8" (206.5mm)	14 1/8" (358mm)	2 7/16" (63mm)	1	12	CW	Puller	NV	1001216759
17 1/32" (432.5mm)	-	-	12 7/16" (315.5mm)	3 27/32" (97.3mm)	1	12	-	-	-	1002437111

Part No: 1001216705



Speed: 1	Type: Puller
Voltage: 12V	Vent: NV
Rotation: CCW	Thickness: 2 7/16" (63mm)
Height: 15" (382mm)	Width: 14 7/16" (367mm)
Mounting Width: 7 1/2" (191mm)	Mounting Height: 13" (331mm)

Part No: 1001216759



Speed: 1	Type: Puller
Voltage: 12V	Vent: NV
Rotation: CW	Thickness: 2 7/16" (63mm)
Height: 16 5/16" (414mm)	Width: 15 3/4" (400mm)
Mounting Width: 8" (205mm)	Mounting Height: 14 1/8" (358mm)

Part No: 1001284911



Voltage: 12V	Type: Pusher
Rotation: CW	Vent: NV
Height: 16 1/4" (414mm)	Thickness: 2 1/2" (63mm)
Mounting Width: 8 1/8" (206.5mm)	Width: 15 3/4" (400mm)
Mounting Height: 14 1/16" (358mm)	

Condenser Fan Assemblies

Part No: 1001745142



Voltage: 12V	Thickness: 2" (51mm)
Height: 6 3/4" (172mm)	Width: 6 3/4" (172mm)

Part No: 1002437111



Speed: 1	Voltage: 12V
Height: 17 1/32" (432.5mm)	Mounting Height: 12 7/16" (315.5mm)
Thickness: 3 27/32" (97.3mm)	

Part No: 1002477045



Speed: 1	Type: Pusher
Voltage: 24V	Vent: NV
Rotation: CW	Thickness: 2 1/4" (57mm)
Height: 11 15/16" (304mm)	Width: 11 15/16" (304mm)
Mounting Width: 6 13/16" (172.6mm)	Mounting Height: 11 3/4" (299mm)

Part No: 1002478731



Speed: 1	Type: Puller
Voltage: 12V	Vent: NV
Rotation: CW	Thickness: 2" (51mm)
Height: 12 1/16" (309.5mm)	Width: 11 1/2" (294mm)
Mounting Width: 6 1/16" (154.5mm)	Mounting Height: 10 1/2" (269mm)

Part No: 1002479122



Speed: 1	Type: Puller
Voltage: 12V	Vent: NV
Rotation: CCW	Thickness: 2" (51mm)
Height: 14 1/4" (361mm)	Width: 13 1/2" (344.5mm)
Mounting Width: 7 1/16" (180.5mm)	Mounting Height: 9 3/4" (247mm)

Part No: 1002479301



Speed: 1	Type: Puller
Voltage: 12V	Vent: NV
Rotation: CW	Thickness: 2" (51mm)
Height: 11 1/6" (283.5mm)	Width: 10 1/2" (269mm)
Mounting Width: 5 5/8" (142.5mm)	Mounting Height: 9 3/4" (247mm)

Part No: 1002712150



Speed: 1	Type: Puller
Voltage: 12V	Thickness: 2 3/4" (68.9mm)
Height: 12 1/4" (310mm)	Width: 11 9/16" (294mm)
Mounting Width: 6 1/8" (155mm)	Mounting Height: 10 9/16" (269mm)

Booster Pumps

Booster Pump Specifications

Speed	Volt	Inlet	Outlet	Amps	Temperature Range	Elbow Degree	Replaces	Part No
2300 RPM	12V	1" inlet	1" outlet	8.0 amps max	-40°F - 185°F (-40°C - 85°C)	90°	-	1001487641
2300 RPM	12V	1" inlet	1" outlet	8.0 amps max	-40°F - 185°F (-40°C - 85°C)	90°	Assembled with hose, clamps and 90° nipple	1001487640
2300 RPM	12V	1" inlet	1" outlet	8.0 amps max	-40°F - 185°F (-40°C - 85°C)	90°	Assembled with hose, clamps and 90° nipple	1001487649
2300 RPM	12V	1" inlet	1" outlet	8.0 amps max	-40°F - 185°F (-40°C - 85°C)	90°	Assembled with hose, clamps and 90° nipple	1001487648
2300 RPM	12V	1" inlet	1" outlet	8.0 amps max	-40°F - 185°F (-40°C - 85°C)	Straight	-	1001487655
2300 RPM	12V	1" inlet	1" outlet	8.0 amps max	-40°F - 185°F (-40°C - 85°C)	Straight	-	1001487642
2300 RPM	12V	1" inlet	1" outlet	8.0 amps max	-40°F - 185°F (-40°C - 85°C)	90°	Assembled with hose, clamps and 90° nipple	1001487644
2300 RPM	24V	1" inlet	1" outlet	4.0 amps max	-40°F - 185°F (-40°C - 85°C)	Straight	-	1001487643
2300 RPM	12V	1" inlet	1" outlet	8.0 amps max	-40°F - 185°F (-40°C - 85°C)	60°	Assembled with hose, clamps and 60° nipple	1001487645
2300 RPM	12V	1" inlet	1" outlet	8.0 amps max	-40°F - 185°F (-40°C - 85°C)	90°	Assembled with hose, clamps and 90° nipple	1001487646
2300 RPM	12V	1" inlet	1" outlet	8.0 amps max	-40°F - 185°F (-40°C - 85°C)	90°	Assembled with hose, clamps and 90° nipple	1001487647
2300 RPM	12V	1" inlet	1" outlet	8.0 amps max	-40°F - 185°F (-40°C - 85°C)	90°	(optional) Assembled with hose, clamps and 90° nipple	1001494889
2300 RPM	12V	1" inlet	1" outlet	8.0 amps max	-40°F - 240°F (-40°C - 116°C)	Straight	-	1001883505
2300 RPM	12V	1" inlet	1" outlet	8.0 amps max	-40°F - 240°F (-40°C - 116°C)	Straight	-	1002332305
	12V	1" inlet	1" outlet		-40°F - 185°F (-40°C - 85°C)	Straight	-	1001548259

Part No: 1001487640



Speed: 2300 RPM	Elbow Degree: 90°
Voltage: 12V	Temperature Range: -40°F - 185°F (-40°C - 85°C)
Inlet: 1" inlet	Outlet: 1" outlet

General Specifications: Assembled with hose, clamps and 90° nipple

Part No: 1001487641



Speed: 2300 RPM	Elbow Degree: 90°
Voltage: 12V	Temperature Range: -40°F - 185°F (-40°C - 85°C)
Inlet: 1" inlet	Outlet: 1" outlet

Part No: 1001487642



Speed: 2300 RPM	Elbow Degree: Straight
Voltage: 12V	Temperature Range: -40°F - 185°F (-40°C - 85°C)
Inlet: 1" inlet	Outlet: 1" outlet

Booster Pumps

Part No: 1001487643



Speed: 2300 RPM	Elbow Degree: Straight
Voltage: 24V	Temperature Range: -40°F - 185°F (-40°C - 85°C)
Inlet: 1" inlet	Outlet: 1" outlet

Part No: 1001487644



Speed: 2300 RPM	Elbow Degree: 90°
Voltage: 12V	Temperature Range: -40°F - 185°F (-40°C - 85°C)
Inlet: 1" inlet	Outlet: 1" outlet

General Specifications: Assembled with hose, clamps and 90° nipple

Part No: 1001487645



Speed: 2300 RPM	Elbow Degree: 60°
Voltage: 12V	Temperature Range: -40°F - 240°F (-40°C - 116°C)
Inlet: 1" inlet	Outlet: 1" outlet

General Specifications: Assembled with hose, clamps and 60° nipple

Part No: 1001487646



Speed: 2300 RPM	Elbow Degree: 90°
Voltage: 12V	Temperature Range: -40°F - 185°F (-40°C - 85°C)
Inlet: 1" inlet	Outlet: 1" outlet

General Specifications: Assembled with hose, clamps and 90° nipple

Part No: 1001487647



Speed: 2300 RPM	Elbow Degree: 90°
Voltage: 12V	Temperature Range: -40°F - 185°F (-40°C - 85°C)
Inlet: 1" inlet	Outlet: 1" outlet

General Specifications: Assembled with hose, clamps and 90° nipple

Part No: 1001487648



Speed: 2300 RPM	Elbow Degree: 90°
Voltage: 12V	Temperature Range: -40°F - 185°F (-40°C - 85°C)
Inlet: 1" inlet	Outlet: 1" outlet

General Specifications: Assembled with hose, clamps and 90° nipple

Part No: 1001487649



Speed: 2300 RPM	Elbow Degree: 90°
Voltage: 12V	Temperature Range: -40°F - 185°F (-40°C - 85°C)
Inlet: 1" inlet	Outlet: 1" outlet

General Specifications: Assembled with hose, clamps and 90° nipple

Part No: 1001487655



Speed: 2300 RPM	Elbow Degree: Straight
Voltage: 12V	Temperature Range: -40°F - 185°F (-40°C - 85°C)
Inlet: 1" inlet	Outlet: 1" outlet




Part No: 1001494889



Speed: 2300 RPM	Amps: 8.0 amp max
Voltage: 12V	Elbow Degree: 90°
Inlet: 1" inlet	Outlet: 1" outlet

General Specifications: (optional) Assembled with hose, clamps and 90° nipple
Temperature Range:
-40°F - 185°F (-40°C - 85°C)

Booster Pumps

Part No: 1001548259		Part No: 1001883505		Part No: 1002332305	
					
Voltage: 12V	Elbow Straight	Speed: 2300 RPM	Amps: 8.0 amp max	Speed: 2300 RPM	Amps: 8.0 amp max
Inlet: 1" inlet	Outlet: 1" outlet	Voltage: 12V	Elbow Straight	Voltage: 12V	Elbow Straight
Temperature Range: -40°F - 240°F (-40°C - 116°C)		Inlet: 1" inlet Outlet: 1" outlet		Inlet: 1" inlet Outlet: 1" outlet	
		Temperature Range: -40°F - 240°F (-40°C - 116°C)		Temperature Range: -40°F - 240°F (-40°C - 116°C)	

Universal Booster Pump Cross Reference Chart

Kysor Universal Pump	1099321	1099312
Kysor Old Cross Reference	1099073, 1099123, 1099068, 1099067, 1099071, 1099093, 1099102, 1099100, 1099301, 1099302, 1099306, 1099307, 1099309, 1099310, 1099300	1099099, 1099066, 1099115, 1099303, 1099304, 1099308
Kysor New Cross Reference	1099316, 1099318, 1099319, 1099322, 1099326, 1099328, 1099330	1099317, 1099325, 1099329
Navistar/IC Corp Old Cross Reference	2227279C92, 3858732C91, ZGG734000, 2503274C1, ZGG734001, ZGG734003, ZGG734004, 2227280C92	2227281C92, 1672003C91, ZGG734002
Navistar/IC Corp New Cross Reference	2614950C91, 3957323C91, 2614948C91, ZGG734006, ZGG734008, ZGG734009, 2614949C91	3957534C91, 2614947C91, ZGG734007
Paccar Old Cross Reference	RD10700, RD1065, RD1020, 868784BSM	RD1060
Paccar New Cross Reference	RD10701, RD10201, RD10801	RD10601
Bluebird Old Cross Reference	09017220, 01973981	02148849, 00007258
Bluebird New Cross Reference	10033362	10034148
Daimler Old Cross Reference	BSM 1000041264, BSM 868293, BSM 868242, BSM 868784, 22-58298-000, 22-61395-000, 22-60482-000	BSM 868192
Daimler New Cross Reference	BSM 1000368332, BSM 1000360349, BSM 1000368103, BSM 1000368105, BSM 1000368108, 22-71865-000	BSM 1000360348
Thomas Old Cross Reference	6123-0214, 6600-0784	6123-0211
Thomas New Cross Reference	n/a	181122
Volvo/Mack Old Cross Reference	BSM1000041264, BSM868242, BSM868784/7787-868784	BSM868192
Volvo/Mack New Cross Reference	BSM1000368332/7787-1000368332, 7787-1000368105	n/a
Gillig Old Cross Reference	82-24864-000, 53-29300-00	n/a
Gillig New Cross Reference	53-29300-000	n/a